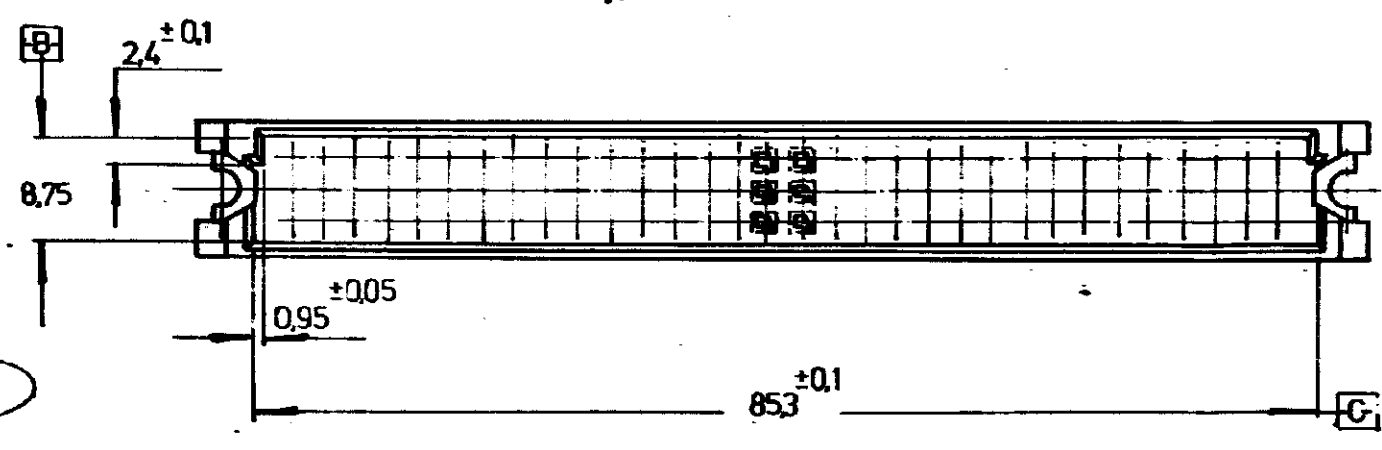
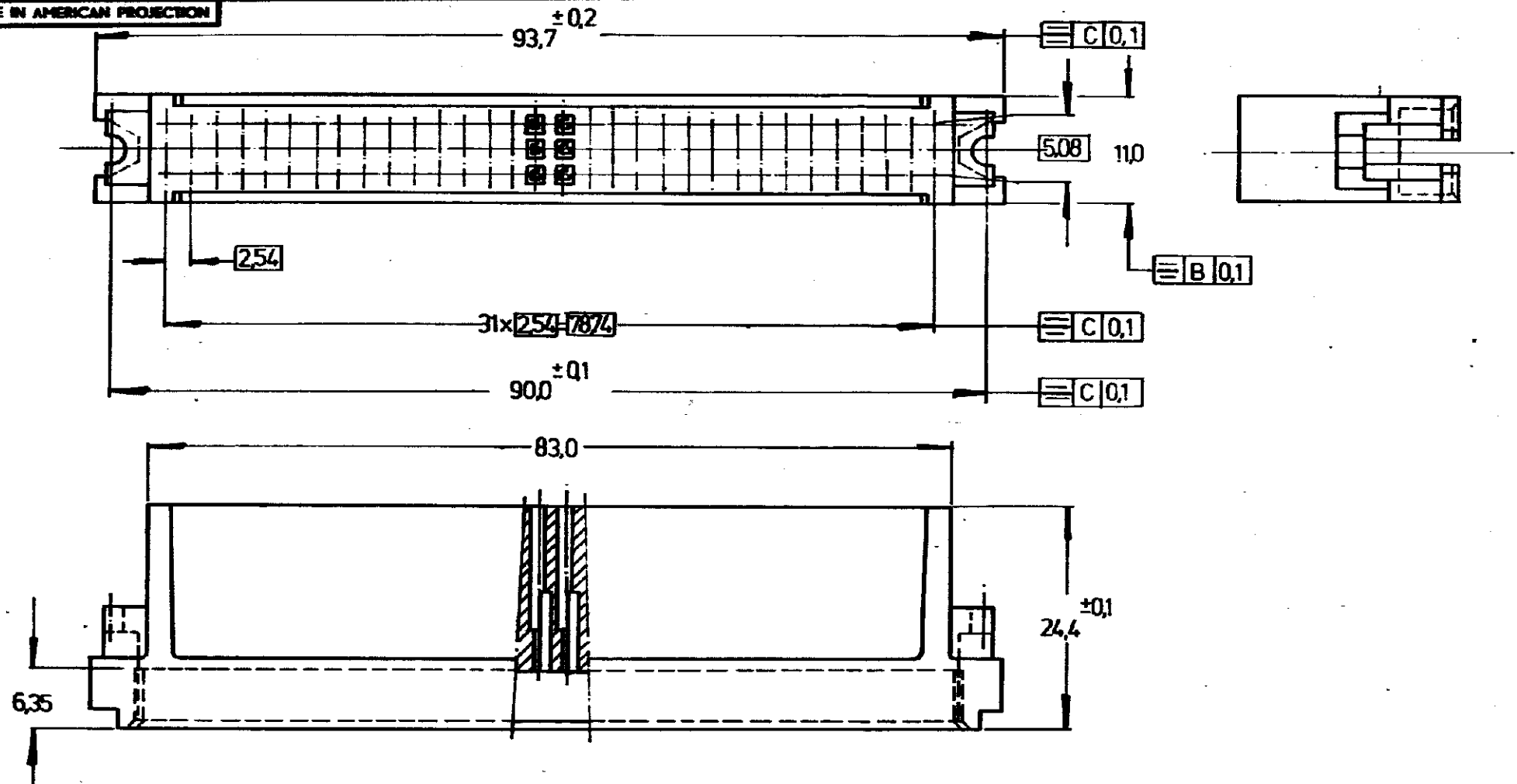


DRAWING MADE IN AMERICAN PROJECTION



DIMENSIONS IN M.M. DO NOT SCALE PRINT

| | | |
|--|-----------------------|---|
| 166467-1 | Glassfilled Polyester | Steel |
| ORDER NO. | MATERIAL | PLATING |
| CUSTOMER COPY FOR REFERENCE ONLY | | |
| DR <i>C.F. Swinney 30th June 60</i> | DATE | © 1960 BY AMP-HOLLAND N.V. ALL RIGHTS RESERVED A-MP PRODUCTS COVERED BY PATENTS AND/OR PATENTS PENDING. |
| CHK | DATE | |
| DE | DATE | WIRE-RANGE |
| APP <i>[Signature]</i> | DATE 30.6.60 | INSUL. RANGE |
| | | FIRST USED |
| | SCALE 2:1 | SIZE B |
| | | NO C_166467_E |
| | | REV B |
| | | NAME 96 PMS. I.E.C. C MALE "COSI" HSG |

AMP 12534 8 7 6 5 4 3 2 1